



NEHB Panelboards

MAIN LUGS & MAIN BREAKER

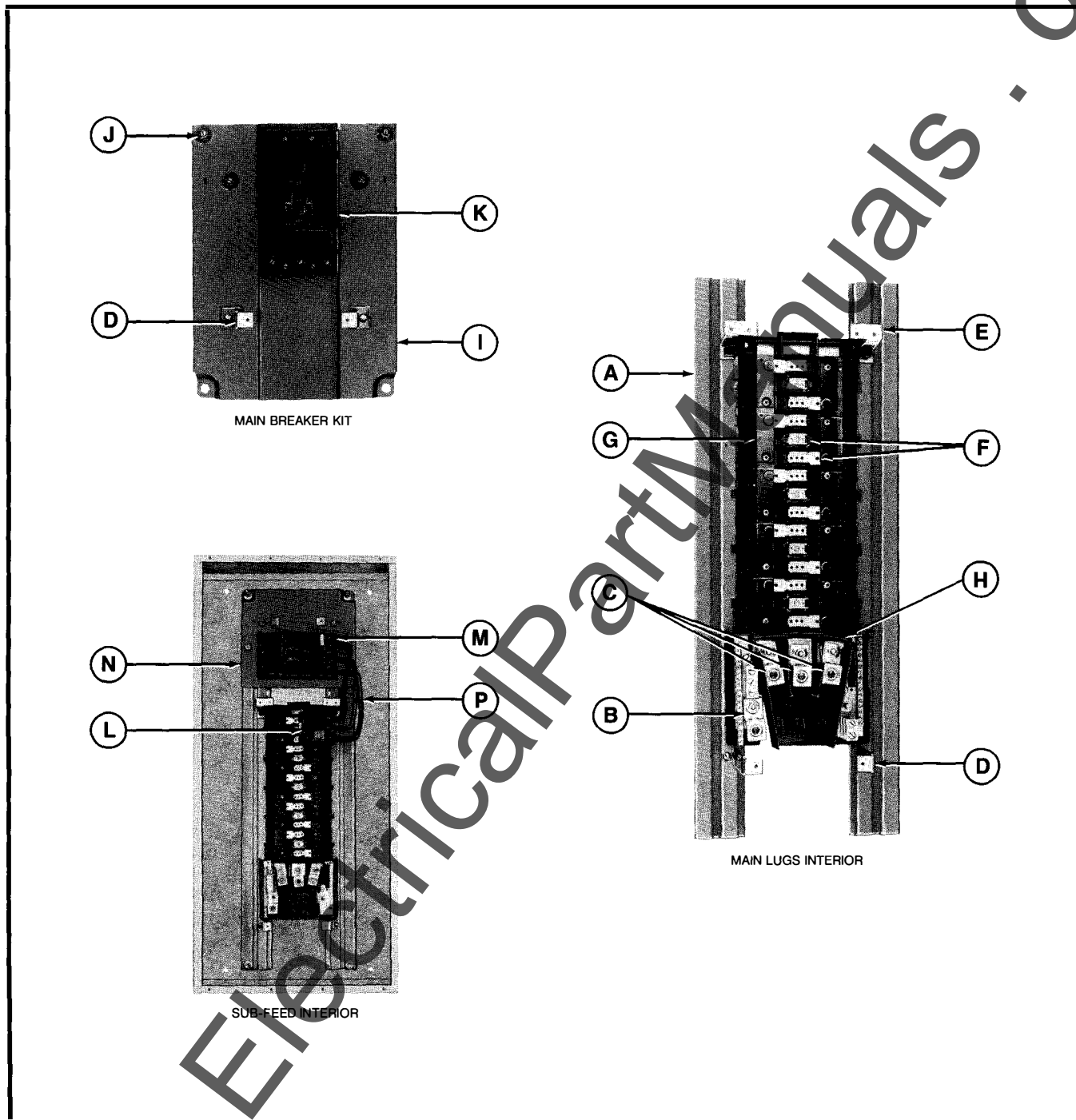
INDEX

| MAIN LUGS & MAIN BREAKER/TYPE & RATING | Page |
|--|------|
| 225 Ampere Maximum | 2 |
| 600 Ampere Maximum | 4 |
| 225 Ampere Maximum Column Width | 6 |

POWER EQUIPMENT PRODUCTS

SERVICE BULLETIN

NEHB PANELBOARDS MAIN LUGS & MAIN BREAKER — 225A. MAXIMUM SERIES E1



NEHB PANELBOARDS
MAIN LUGS & MAIN BREAKER — 225A. MAXIMUM
SERIES E1

ORDERING INSTRUCTIONS: Specify quantity, part number, description of part, and copy catalog number and series from panelboard nameplate. For example: (1)40542-058-50 Neutral Assembly for NEHB interior catalog number NEHB12426-1 Series E1.

| Code Letter | Description | Part No. | Code Letter | Description | Part No. |
|-------------|--|-----------------|-------------|---|---------------|
| A | Interior Assembly | See Table Below | E | Mounting Bracket, Branch Trim, Right ▲ .. | 40542-025-01 |
| | Hex Nut, Interior Mounting | 23427-02200 ② | | Left | 40542-026-01 |
| B | Neutral Assembly | See Table Below | F | Screw, Branch Mounting Bracket | 21951-14180 ② |
| | Screw, Neutral Mounting | 21951-14180 | | Branch Connector, AØ or CØ | 40542-005-01 |
| | S/N Lug Assembly 125A | 40251-042-50 | | Screw, AØ or CØ Connectors | 40205-076-01 |
| | 225A | 40251-130-50 | | Branch Connector, BØ | 40542-131-01 |
| | Hex Nut, Neutral Lug | 23427-02000 ② | | Screw, BØ Connector | 40205-077-01 |
| C | Main Lug Assemblies, 125A | 40251-042-50 ③ | G | Bus Bar Insulators, Flat | 40542-132-01 |
| | Hex Nut, 125A, Main Lugs | 23427-02000 ③ | | Screw, Bus Insulators | 40205-078-01 |
| | Main Lug Assemblies, 225A | 40251-130-50 ③ | H | Bus Bar Insulator, End Piece, Right ▲ .. | 40542-133-01 |
| | Hex Nut, 225A, Main Lugs | 23427-02200 ③ | | Left | 40542-134-01 |
| ★ | Interior Trim, Branch End | See Table Below | ★ | Neutral Bonding Strap Assembly | 40283-194-50 |
| | Main Lugs End | 80101-184-50 | ★ | Circuit Number Tabs | |
| | Screw, Trim Joint | 21532-17140 ② | | 1-12 | 40283-190-50 |
| | Screw, Trim Mounting (1-42 Circuits) .. | 626404 ④ | | 1-18 | 40283-191-50 |
| | Screw, Trim Mounting (43-54 Circuits) .. | 40205-098-01 | | 1-30 | 40283-192-50 |
| D | Mounting Bracket, Mains Trim | 40542-022-01 ② | | 1-42 | 40283-193-50 |
| | Screw, Mains Mounting Bracket | 21592-17101 ② | ★ | Phase Labels | 353288 |

② Indicates quantity.
★ Not shown.
▲ Per standard bottom feed.

| Code Letter | Description | Part Number | | | | |
|-------------|-------------|---------------|----------------|----------------|----------------|----------------|
| | | 1-12 Circuits | 13-18 Circuits | 19-30 Circuits | 31-42 Circuits | 43-54 Circuits |

MAIN LUG PANELBOARDS

| | | | | | | |
|---|---------------------------------|---------------|---------------|---------------------|---------------|---------------|
| A | Interior Assembly, 125A | NEHB12426-1 | NEHB18429-1 | NEHB30435-1 | NEHB42441-2 | NEHB54447-2 |
| | 225A | 40542-058-50 | 40542-058-50 | NEHB30435-2 | 40542-014-50 | 40542-014-50 |
| B | Neutral Assembly, Right ▲ | 40542-059-50 | 40542-059-50 | 40542-054-50 | 40542-013-50 | 40542-013-50 |
| | Left | 80101-185-50 | 80101-186-50 | 40542-013-50 | 80101-187-50 | 80101-189-50 |
| ★ | Interior Trim, Branch End | 80101-185-50 | 80101-186-50 | 80101-187-50 | 80101-188-50 | 80101-190-50 |
| | Nameplate | 40274-563-02 | 40274-564-02 | 40274-565-02 (125A) | 40274-567-02 | 40274-721-02 |
| | Screw, Nameplate | 21594-12061 ② | 21594-12061 ② | 40274-566-02 (225A) | 21594-12061 ② | 21594-12061 ② |

MAIN BREAKER KITS

| | | | | | | |
|---|---------------------------------------|----------------|----------------|----------------|----------------|--|
| I | Main Breaker Kit | NEHB1MW | NEHB2MW | NEHB1MIFCL | NEHB2MIKCL | |
| J | Main Breaker, Mounting Pan | 40542-085-01 | 40542-253-01 | 40542-281-01 | 40542-253-01 | |
| K | Screw, Mounting Pan | 40205-083-01 ④ | 40205-083-01 ④ | 40205-083-01 ④ | 40205-083-01 ④ | |
| | Main Breaker | FAL34100 | KAL36225 | IFL36100 | IKL36225 | |
| | Screw, Breaker Mounting | 21922-14716 ④ | 21916-17721 ④ | 21903-14761 ④ | 21916-17721 ④ | |
| ★ | Main Breaker Connectors | 40542-125-01 ③ | 40542-277-01 ③ | 40542-285-01 ③ | 40542-277-01 ③ | |
| ★ | Interior Trim, Main Breaker End | 80101-191-50 | 80101-192-50 | 80101-193-50 | 80101-194-50 | |
| | Plate Assembly Insulator, Trim | 40542-108-50 | | | | |
| | Screw, Insulator | 21590-17080 ② | | | | |

② Indicates quantity.
★ Not shown.
▲ Per standard bottom feed.

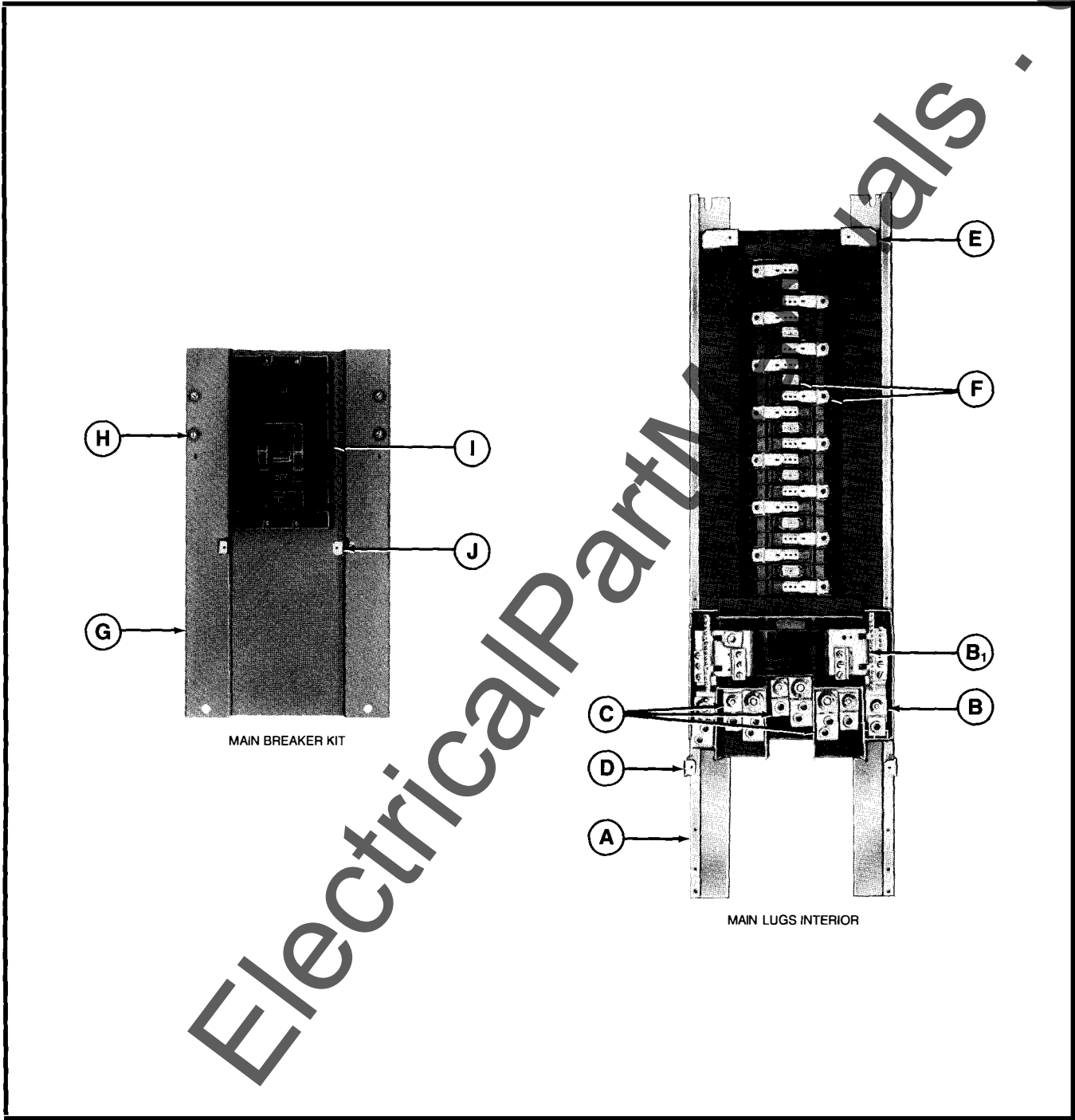
SUB-FEED BREAKER PANELBOARDS

| Code Letter | Description | Up to 42 Circuits |
|-------------|-------------------------------|-----------------------|
| L | Lug Kit | EHB 125SL |
| M | Sub-Feed Breaker | KAL 36125 |
| | Screw, Breaker Mounting | 21916-17721 ④ |
| N | Breaker Mounting Pan | 40542-296-01 |
| | Screw, Mounting Pan | 40205-083-01 ④ |
| P | Breaker Connectors, AØ | 40542-292-01 |
| | BØ | 40542-293-01 |
| | CØ | 40542-294-01 |
| ★ | Interior Trim, Branches | (27 CKT) 80101-196-50 |
| | Sub-Feed Breaker | (39 CKT) 80101-197-50 |
| | Main Lugs End | 80101-195-50 |
| | Screw, Trim Mounting | 80101-184-50 |
| | | 40205-098-01 ② |

② Indicates quantity.

Note: Order same parts for interiors with copper bus.

NEHB PANELBOARDS
MAIN LUGS & MAIN BREAKER — 400A. MAXIMUM
MAIN LUGS — 600A. MAXIMUM
SERIES E1



NEHB PANELBOARDS
MAIN LUGS & MAIN BREAKER — 400A. MAXIMUM
MAIN LUGS — 600A. MAXIMUM
SERIES E1

ORDERING INSTRUCTIONS: Specify quantity, part number, description of part, and copy catalog number and series from panelboard nameplate. For example: (1)40543-131-50 Neutral Assembly for NEHB interior catalog number NEHB30450-4 Series E1.

400A. & 600A. MAXIMUM

| Code Letter | Description | Part No. |
|-------------|--|-----------------|
| A | Interior Assembly | See Table Below |
| | Hex Nut, Interior Mounting | 23427-02200 ② |
| B | Neutral Assemblies | See Table Below |
| | Screw, Neutral Mounting | 21091-14240 ④ |
| C | Lug Assemblies | See Table Below |
| ★ | Interior Trim | See Table Below |
| | Screw, Trim Mounting | 626404 ② |
| | Screw, Trim Joint | 21532-17140 ② |
| D | Mounting Bracket, Main Lugs Trim | 40543-016-50 |
| | Screw, MLO-Mounting Bracket | 626404 ② |
| E | Mounting Bracket, Branch Trim, Right▲ | 40543-014-01 |
| | Left | 40543-015-01 |
| | Screw, Branch Mounting Bracket | 40205-086-01 ② |
| F | Branch Connector, AØ or CØ | 40543-027-01 |
| | Screw, AØ or CØ Connector | 40205-081-01 |
| | Branch Connector, BØ | 40543-026-01 |
| | Screw, BØ Connector | 40205-077-02 |
| ★ | Circuit Number Tabs | |
| | 1-30 | 40283-192-50 |
| | 1-42 | 40283-193-50 |
| ★ | Phase Labels | 353288 |

② Indicates quantity.
★ Not shown.
▲ Per standard bottom feed.

MAIN LUG PANELBOARDS

| Code Letter | Description | Part Number | | |
|-------------|--|----------------|----------------|----------------|
| | | 400A. | | 600A. |
| | | 30 Circuits | 42 Circuits | 42 Circuits |
| A | Interior Assembly | NEHB30450-4 | NEHB42453-4 | NEHB42459-6 |
| B | Neutral Assembly | 40543-131-50 | 40543-132-50 | 40543-133-50 |
| B | Neutral Bar Assembly | 40230-171-85 ② | 40230-172-80 ② | 40230-172-66 ② |
| C | Lug Assembly | 40251-136-50 ③ | 40251-136-50 ② | 40251-080-50 ② |
| | Hex Nut | 23427-02800 ② | 23427-02800 ② | 23427-02800 ② |
| | Lock Washer | 23703-00280 ② | 23703-00280 ③ | 23703-00280 ② |
| ★ | Interior Trim Assembly, Branch End | 80101-199-50 | 80101-201-50 | 80101-203-50 |
| ★ | Main Lugs End | 80101-198-50 | 80101-200-50 | 80101-202-50 |

MAIN BREAKER KITS

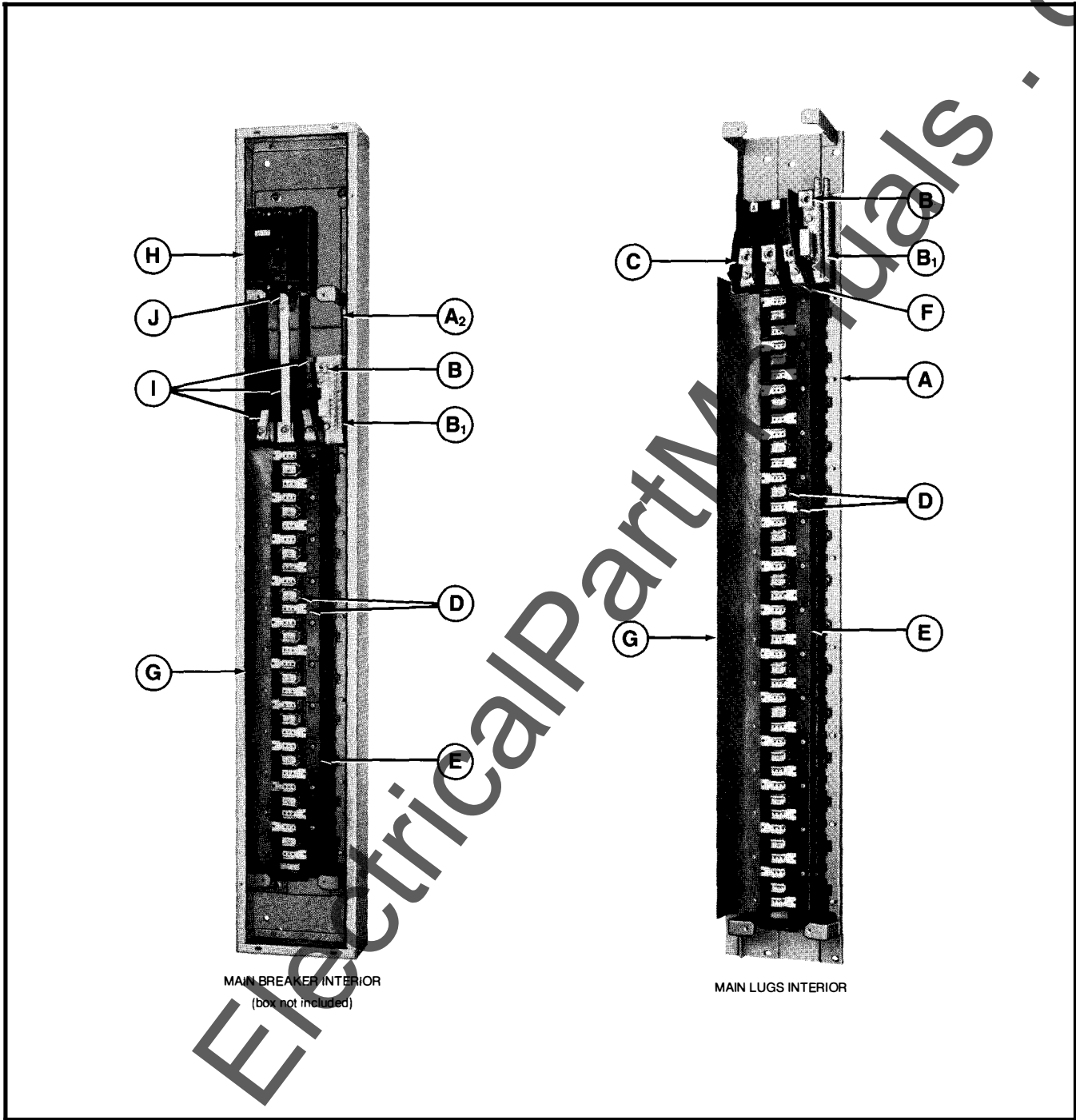
| Code Letter | Description | Part Number | |
|-------------|--|----------------|----------------|
| | | 300A. | 400A. |
| G | Main Breaker Kit | NEHB3MW | NEHB4MW |
| H | Main Breaker Mounting Pan | 40543-106-01 | 40543-053-01 |
| I | Screw, Mounting Pan | 40205-083-01 ④ | 40205-083-01 ④ |
| | Main Breaker | LAL36300MB | LAL36400MB |
| | Screw, Breaker Mounting | 21922-18731 ④ | 21922-18731 ④ |
| | Washer, Breaker Mounting | 23701-00180 ④ | 23701-00180 ④ |
| ★ | Main Breaker Connector Assembly | 40283-302-50 | 40283-302-50 |
| ★ | Interior Trim Assembly, Main Breaker End | 80101-204-50 | 80101-205-50 |
| | Screw, Trim Assembly | 626404 ② | 626404 ② |
| J | Mounting Bracket Assembly, Main Breaker Trim | 40543-047-50 ② | 40543-047-50 ② |
| | Screw, Mounting Bracket | 626404 ② | 626404 ② |
| | Neutral Bonding Strap | 40283-281-50 | 40283-281-50 |

② Indicates quantity.
★ Not shown.

NOTE: Order same parts for interiors with copper bus.

DANGER: Hazard of electrical shock or burn. Be sure to TURN OFF POWER supply before working on equipment.

NEHB PANELBOARDS
MAIN LUGS & MAIN BREAKER — COLUMN WIDTH — 225A. MAXIMUM
SERIES E1



NEHB PANELBOARDS
MAIN LUGS & MAIN BREAKER — COLUMN WIDTH — 225A. MAXIMUM
SERIES E1

ORDERING INSTRUCTIONS: Specify quantity, part number, description of part, and copy catalog number and series from panelboard nameplate. For example: (1) 80101-030-50 Neutral Assembly for NEHB interior catalog number NEHB849304-1 Series E1.

COLUMN WIDTH

| Code Letter | Description | Part No. |
|-------------|--|---------------------------|
| A | Interior Assembly | See Table Below |
| B | Neutral Assemblies | See Table Below |
| | Screw, Neutral Mounting | 21091-14240 ^② |
| C | Lug Assemblies | See Table Below |
| ★ | Interior Trim | See Table Below |
| | Screw, Trim Mounting | 40205-098-01 ^② |
| | End Cover Trim | 80101-026-01 |
| | Screw, End Cover | 21594-14120 ^② |
| D | Branch Connector, A \emptyset or C \emptyset | 80101-125-01 |
| | Screw, A \emptyset or C \emptyset Connector | 40205-076-01 |
| | Branch Connector, B \emptyset | 80101-126-01 |
| | Screw, B \emptyset Connector | 40205-077-01 |
| E | Bus Bar Insulators | 40542-132-01 |
| F | Screw, Bus Insulators | 40205-078-01 |
| | Bus Bar Insulator, End Piece, Right ▲ | 40542-133-01 ^① |
| | Left | 40542-134-01 ^① |
| G | Box Insulator | See Table Below |
| | Standoff Insulator | 80101-013-01 |
| | Screw, Box and Standoff Insulator | 21533-08160 |
| ★ | Phase Labels | 353288 |
| ★ | Circuit Number Tabs | |
| | 1-30 | 40283-192-50 |
| | 1-42 | 40283-193-50 |

② Indicates quantity.
 ★ Not shown.
 ▲ Per standard bottom feed.

MAIN LUG PANELBOARDS

| Code Letter | Description | Part Number | |
|----------------|--|---------------------------|---------------------------|
| | | 125A. — 30 Circuits | 225A. — 42 Circuits |
| A ₁ | Interior Assembly | NEHB849304-1 | NEHB866424-2 |
| B | Neutral Assembly (includes Neutral Bar Assembly) | 80101-030-50 | 80101-040-50 |
| B ₁ | Neutral Bar Assembly | 40230-172-89 | 80101-059-51 |
| C | Lug Assemblies | 40251-042-50 ^③ | 40251-040-50 ^③ |
| | Hex Nut, Lugs | 23427-02000 ^③ | 23427-02200 ^③ |
| ★ | Interior Trim Assembly | 80101-206-50 | 80101-207-50 |
| G | Box Insulator | 80101-020-02 | 80101-039-01 |

MAIN BREAKER PANELBOARDS

| Code Letter | Description | Part Number | |
|----------------|--|---------------------------|--------------------------|
| | | 100A. — 30 Circuits | 225A. — 42 Circuits |
| A ₂ | Interior Assembly | NEHB858304-1M | NEHB876424-2M |
| B | Neutral Assembly (includes Neutral Bar Assembly) | 80101-030-50 | 80101-040-50 |
| B ₁ | Neutral Bar Assembly | 40230-172-89 ^② | 80101-059-51 |
| H | Main Breaker | FAL34100 | KAL36225 |
| | Screw, Breaker Mounting | 21916-20280 ^③ | 21507-20320 ^③ |
| | Washer, Breaker Mounting | | 23903-31601 ^③ |
| I | Main Breaker Connector, B \emptyset | 80101-074-50 | 80101-075-50 |
| | C \emptyset | 80101-066-01 | 80101-068-01 |
| | B \emptyset | 80101-074-50 | 80101-075-51 |
| | C \emptyset | 23427-02000 ^③ | 23427-02200 ^③ |
| J | Hex Nut, Breaker Connector | 80101-069-01 | 80101-069-01 |
| | Insulator, B \emptyset Connector | 21532-17160 | 21532-17160 |
| | Screw, B \emptyset Insulator | 80101-209-50 | 80101-211-50 |
| | Interior Trim Assembly | 80101-208-50 | 80101-210-50 |
| | Extension | | |

② Indicates quantity.
 ★ Not shown.

www.ElectricalPartManuals.com



SQUARE D COMPANY

Dedicated to Growth • Committed to Quality

SERVICE BULLETIN, CLASS 1660

September, 1989

5M-RP

Printed in U.S.A.