

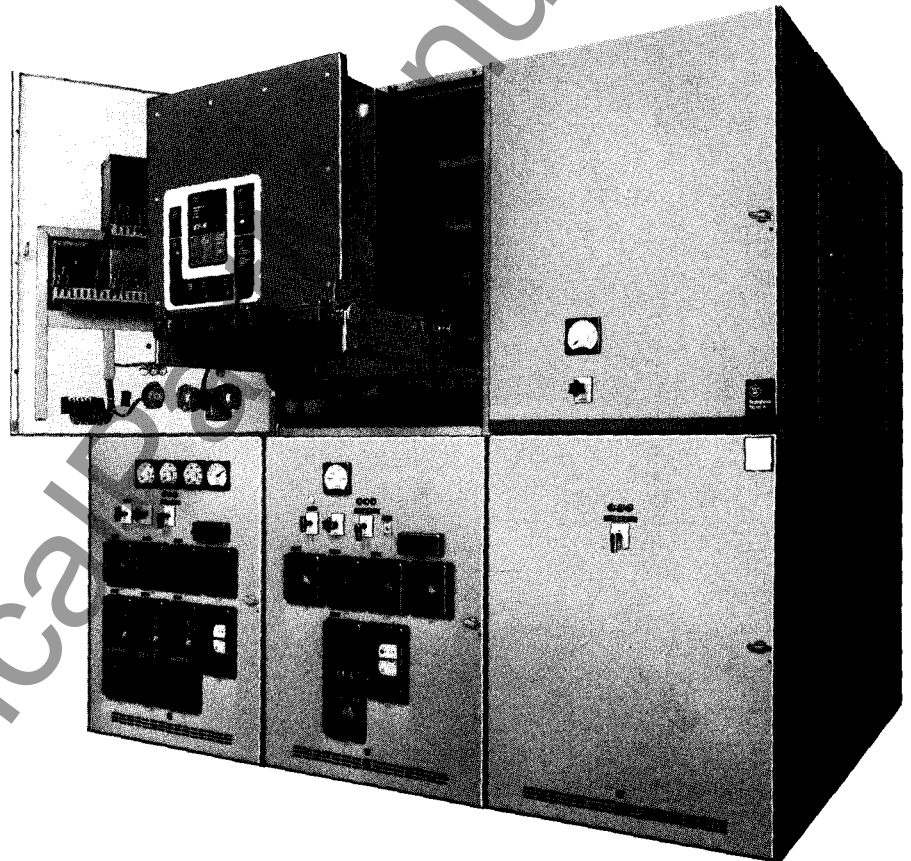


April 1990
 Supersedes Renewal Parts Data 32-255,
 pages 1-12, dated January, 1988

Vac Clad-W Type VCP-W Circuit Breakers/ Housing Parts

Index

Description	Page
VCP-W Vacuum Circuit Breaker Parts - Section I	
Interrupter Assemblies	3
Primary Disconnects	3
Spring Charging Motor	4
Spring Rel. (Close) Coil	4
Shunt Trip Coil	4
Anti-Pump Y Relay	4
Motor Cut-Off Switch Assembly	4
Latch Check Switch	4
Auxiliary Switch	4
Fastener Kit	4
D-Shaft	4
Hatchet	4
Push Rods	4
Rectifier	4
Undervoltage Trip Coil	4
Exterior Polyester Barrier	4
Breaker Wheel	4
VCP-W Housing Parts - Section II	
Front Panel Components	5
Breaker Pan Assembly Parts	5
Shutter & Cell Parts	6
Drawout Aux Drawer Parts	7
Drawout Aux Primary Stationary Parts	8
Fuses, Fuse Blocks & Terminal Blocks	8
Bus	9
Boots	9
Bus & Riser Supports	10
Accessories	10
Miscellaneous Parts	11



Note: This publication is not intended for application to breakers having special seismic requirements. For parts identification on those breakers, it will be necessary to contact the Commercial Operations Division of the Distribution and Control Business Unit, with the breaker shop order number.

Note: For complete information on Type VCP-W breaker ratings and maintenance, refer to Instruction Book 32-255-1A.



VCP-W Vacuum Circuit Breaker Parts - Section I

Parts Identification

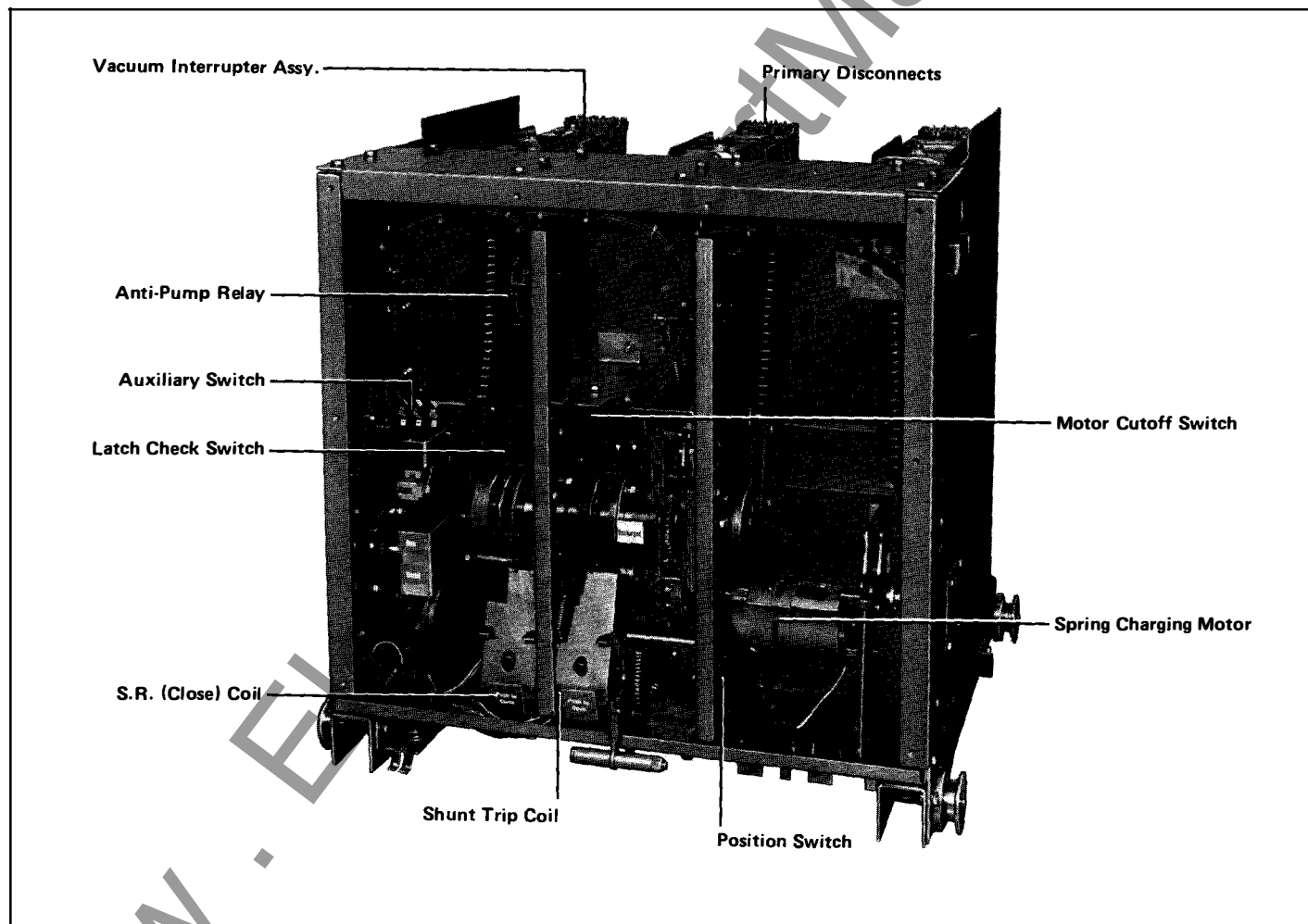
The illustrations in this Renewal Parts Data show parts and sub-assemblies which are identified by name and style number in the associated tabulations. Additional information and illustrations are shown in the figures in I.B. 32-255-1A, which show many sub-assemblies and detail parts in order to illustrate their function and location in the assembly. Some of the detail parts as shown in the instruction book are recommended only as part of a sub-assembly to facilitate their replacement or installation in the field. The availability of parts and sub-assemblies is indicated by style number in the following data.

If the item in question cannot be identified by style number, refer to the figure number, name and item number as shown in the RPD along with the breaker type and its shop order number or style number as shown on the nameplate on the front of the breaker mechanism panel.

This nameplate information will also be required when adding components, which are not direct replacements, to a circuit breaker.

Ordering Information

1. Name item and give its style number. Specify quantity desired.
2. State breaker shop order number or style number.
3. State method of shipment desired.
4. Send all orders or correspondence to nearest Westinghouse Sales Office.





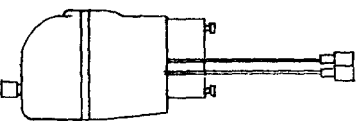
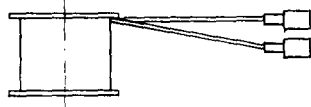
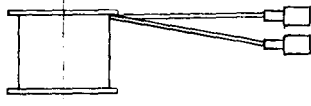
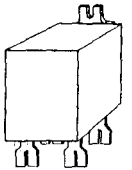
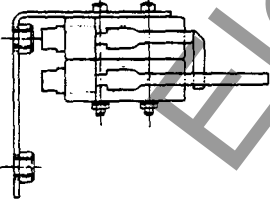
VCP-W Vacuum Circuit Breaker Parts - Section I

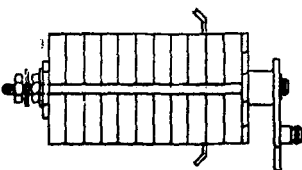

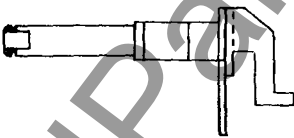
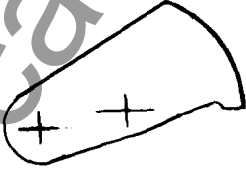


Breaker - Renewal Parts

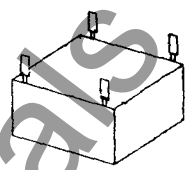
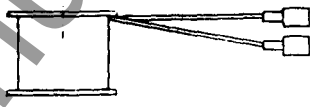
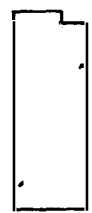
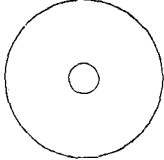
Line No.	Description	Style No.	Line No.	Description	Style No.	Line No.	Description	Style No.
	Interrupter Assembly							
01	50VCPW250-1200A-58 kA	8297A02H01	12	75VCPW500-3000A-66 kA	8297A13H01	25	150VCPW1000-1200A-77 kA	8297A29H01
02	50VCPW250H-1200A-78 kA	8297A05H01				26	150VCPW1000-2000A-77 kA	8297A30H01
03	50VCPW250-2000A-58 kA	8297A03H01						
04	50VCPW250H-2000A-78 kA	8297A06H01						
	Interrupter Assembly							
05	50VCPW250-3000A-58 kA	8297A04H01	13	150VCPW500-1200A-37 kA	8297A17H01	27	150VCPW1000-3000A-77 kA	8297A31H01
06	50VCPW250H-3000A-78 kA	8297A07H01	14	150VCPW500H-1200A-58 kA	8297A20H01			
			15	150VCPW500-2000A-37 kA	8297A18H01			
			16	150VCPW500H-2000A-58 kA	8297A21H01			
07	50VCPW350-1200A-78 kA	8297A08H01	17	150VCPW500-3000A-37 kA	8297A19H01	28	1200 Amp. Primary Disconnects 16 Contacts	508B022G01
08	50VCPW350-2000A-78 kA	8297A09H01	18	150VCPW500H-3000A-58 kA	8297A22H01			
09	50VCPW350-3000A-78 kA	8297A10H01	19	150VCPW750-1200A-58 kA	8297A23H01	29	2000 Amp. Primary Disconnects 20 Contacts	508B012G01
			20	150VCPW750H-1200A-77 kA	8297A26H01			
			21	150VCPW750-2000A-58 kA	8297A24H01			
			22	150VCPW750H-2000A-77 kA	8297A27H01			
10	75VCPW500-1200A-66 kA	8297A11H01	23	150VCPW750-3000A-58 kA	8297A25H01	30	3000 Amp. Primary Disconnects 20 Contacts	692C037G01
11	75VCPW500-2000A-66 kA	8297A12H01	24	150VCPW750H-3000A-77 kA	8297A28H01			



VCP-W Vacuum Circuit Breaker Parts - Section I

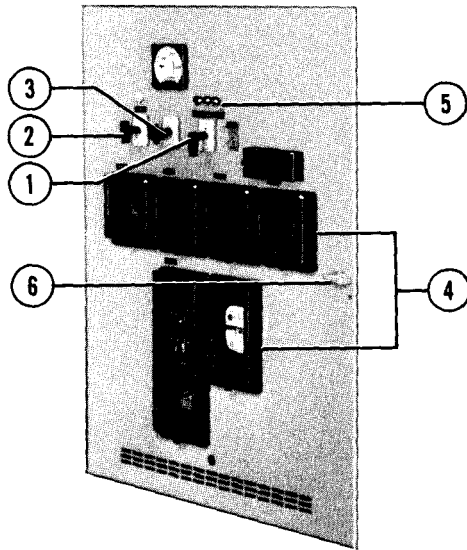
Line No.	Description	Style No.
		
31	48V DC	699B196G03
32	125V DC/120V AC	699B196G01
33	250V DC/240V AC	699B196G02
		
34	48V DC	3759A76G01
35	125V DC/120V AC	3759A76G02
36	250V DC/240V Ac	3759A76G03
		
38	48V DC	3759A76G01
39	125V DC & 120V AC Cap Trip	3759A76G02
40	250V DC & 240V AC Cap Trip	3759A76G03
		
41	48V DC	3759A74G03
42	125V DC	3759A74G04
43	250V DC	3759A74G05
44	120V AC	3759A74G01
45	240V AC	3759A74G02
		
46	Motor Cut-Off Switch Assy.	699B199G01

Line No.	Description	Style No.
47	Latch Check Switch	8064A03G01
		
48	Auxiliary Switch	698B822H01
		
49	Fastener Kit	8061A01G01
		
50	D-Shaft	691C380G01
		
51	Hatchet	699B040G01
		
53	Push Rod 150VCPW 500-1200	691C650G01
		
54	Push Rods All Others	691C651G01

Line No.	Description	Style No.
		
55	Rectifier (120/240V AC)	3759A79G01
		
56	48V DC	8064A19G01
57	125V DC	8064A19G02
58	250V DC	8064A19G03
		
59	Exterior Polyester Barrier	691C176H01
		
60	Breaker Wheel	3617A99H01

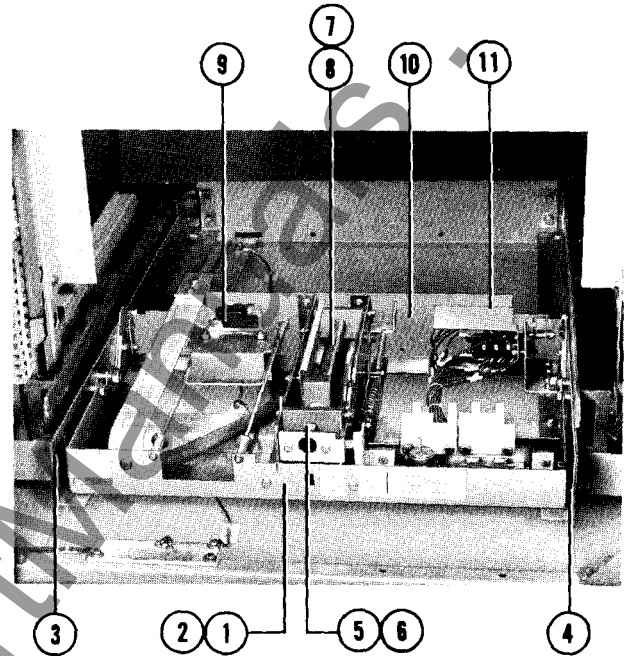


VCP-W Cell Parts - Section II



Front Panel Components

Item	Description	Style Number
1	W2 Handle, Pistol Grip, Fixed	310C624H02
2	W2 Handle, Oval, Fixed.....	501B787H01
3	W2 Handle Round, Fixed	310C624H01
4	Relay Covers.....	Order by description
5	EZC Minalite Bulbs - 24V - (Box of 25).....	1124156
6	Door Latch Assy (Gray).....	8244A12G01
7	Door Latch Assy (Black).....	8346A76H01



Breaker Pan Assembly Parts

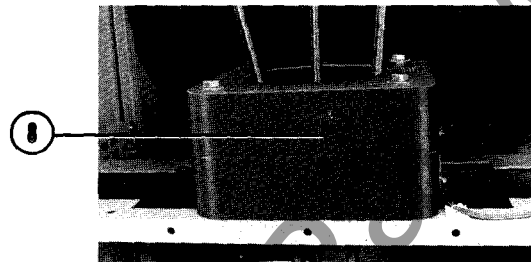
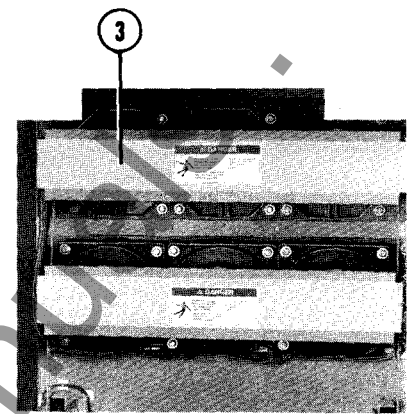
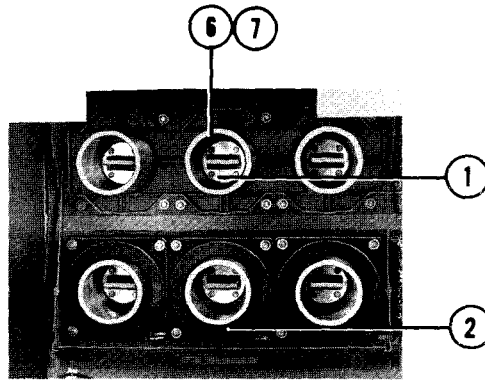
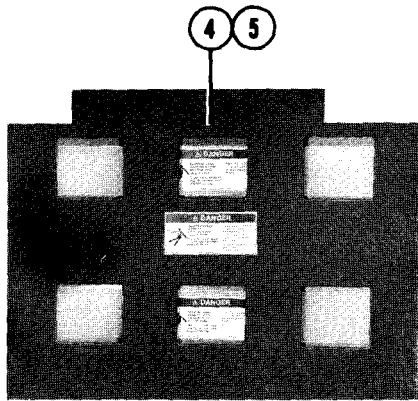
Item	Description	Style Number	Qty.
1	Pan Assembly 1200/2000A	6529C21G03 ①	1
2	Pan Assembly 3000A	6529C21G04 ②	1
3	Stationary Rail Assembly L.H.	6510C01G02	1
4	Stationary Rail Assembly R.H.	6510C02G02	1
5	Hex Drive	8263A31H01	1
6	Shear Pin	70310CT0B6	1
7	Levering Screw 1200/2000 A	694C584H01	1
8	Levering Screw 3000 A	694C584H02	1
9	Stationary Secondary Contacts	6510C61G02	1
10	TOC Switch, 4A/5B, Wired	6510C49G03	1
11A	MOC Switch, 5A/4B, 1 SW, Conn. & Test	6510C50G02	1
11B	MOC Switch, 5A/4B, 1 SW, Conn. Only	6510C50G03	1
11C	MOC Switch, 10A/8B, 2 SW, Conn. & Test	6510C50G04	1
11D	MOC Switch, 10A/8B, 2 SW, Conn. Only	6510C50G05	1
11E	MOC Switch, 15A/12B, 3 SW, Conn. & Test	6510C50G06	1
11F	MOC Switch, 15A/12B, 3 SW, Conn. Only	6510C50G07	1

● Item 1 Includes Items 3,4,5,6,7,9

② Item 2 Includes Items 3,4,5,6,8,9



VCP-W Cell Parts - Section II



Cell Parts

Stab Molding Assemblies

Item	Description	Style Number
1A	1200A Porc., Bus Side.....	6437C76G01
1B	2000A Porc., Bus Side.....	6437C76G03
1C	3000A Porc., Bus/Line.....	6355C65G02
1D	1200A Gl. Poly., Bus Side.....	6437C76G05
1E	2000A Gl. Poly., Bus Side.....	6437C76G07
1F	3000A Gl. Poly., Bus/Line.....	6355C65G03
2A	1200A Porc., Line Side.....	6437C76G02
2B	2000A Porc., Line Side.....	6437C76G04
2C	1200A Gl. Poly., Line Side.....	6437C76G06
2D	2000A Gl. Poly., Line Side.....	6437C76G08

Shutter and Current Transformer Barriers

Item	Description	Style Number
3	Shutter Assembly.....	6529C22G01
4	Ct. Barrier.....	6510C31G01
5	Ct. Barrier Spring.....	8276A92H01

Current Transformers

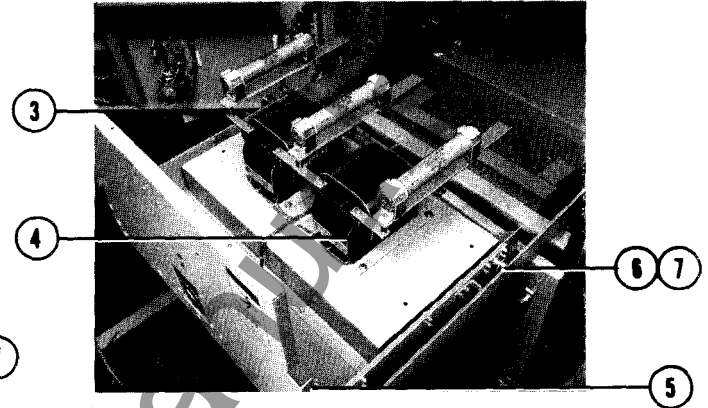
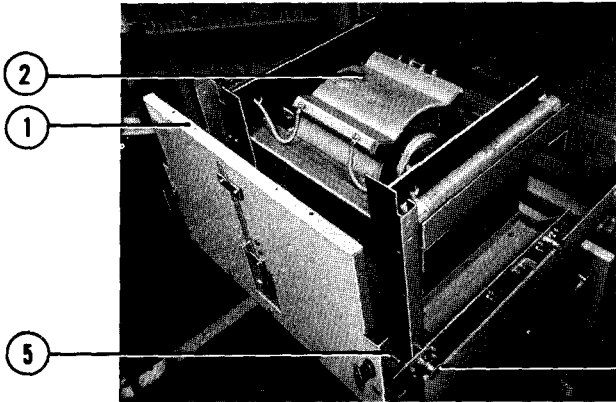
Item	Description	Style Number
(Thick Profile CT - High Accuracy, Type SCV-D)		
6A	50:5 Relay Class C10.....	6353C89H01
6B	75:5 Relay Class C20.....	6353C89H02
6C	100:5 Relay Class C20.....	6353C89H03
6D	150:5 Relay Class C50.....	6353C89H04
6E	200:5 Relay Class C50.....	6353C89H05
6F	250:5 Relay Class C50.....	6353C89H06
6G	300:5 Relay Class C100.....	6353C89H07
6H	400:5 Relay Class C100.....	6353C89H08
6I	500:5 Relay Class C100.....	6353C89H09
6J	600:5 Relay Class C200.....	6353C89H10
6K	800:5 Relay Class C200.....	6353C89H11
6L	1000:5 Relay Class C200.....	6353C89H12
6M	1200:5 Relay Class C400.....	6353C89H13
6N	1500:5 Relay Class C400.....	6353C89H14
6O	2000:5 Relay Class C400.....	6353C89H15
6P	2500:5 Relay Class C400.....	6353C89H16
6Q	3000:5 Relay Class C800.....	6353C89H17
(Narrow Profile CT — Std Accuracy, Type SCV)		
7A	100:5 Relay Class C10.....	6353C88H01
7B	150:5 Relay Class C20.....	6353C88H02
7C	200:5 Relay Class C20.....	6353C88H03
7D	250:5 Relay Class C20.....	6353C88H04
7E	300:5 Relay Class C20.....	6353C88H05
7F	400:5 Relay Class C50.....	6353C88H06
7G	500:5 Relay Class C50.....	6353C88H07
7H	600:5 Relay Class C100.....	6353C88H08
7I	800:5 Relay Class C100.....	6353C88H09
7J	1000:5 Relay Class C100.....	6353C88H10
7K	1200:5 Relay Class C200.....	6353C88H11
7L	1500:5 Relay Class C200.....	6353C88H12
7M	2000:5 Relay Class C200.....	6353C88H13
7N	2500:5 Relay Class C200.....	6353C88H14
7O	3000:5 Relay Class C200.....	6353C88H15
7P	4000:5 Relay Class C200.....	6353C88H16

BYZ Zero Sequence Current Transformer

8A	50:5 Relay Class C10 7.25 ID.....	6353C97H01
8B	100:5 Relay Class C20 7.25 ID.....	6353C97H02



VCP-W Cell Parts - Section II



Drawout Aux. Drawers, VT & CPT

Control Power Transformers

Item	Description	Style Number
1	CPT Drawer Parts ^①	1A30132G01
2A	Voltage 2400 kVA 5 Conn L-L Fuse 5A Rating 5 kV	506A004H01
2B	2400 10 L-L 10A 5 kV	506A004H02
2C	2400 15 L-L 10A 5 kV	506A004H03
2D	4200 5 L-L 5A 5 kV	506A004H05
2E	4200 10 L-L 5A 5 kV	506A004H06
2F	4200 15 L-L 10A 5 kV	506A004H07
2G	4760 5 L-L 5A 5 kV	506A004H09
2H	4760 10 L-L 5A 5 kV	506A004H10
2I	4760 15 L-L 10A 5 kV	506A004H11
2J	7200 5 L-L 5A 7.5 kV	506A004H13
2K	7200 10 L-L 5A 7.5 kV	506A004H14
2L	7200 15 L-L 5A 7.5 kV	506A004H15
2M	8500 5 L-G 5A 7.5 kV	506A004H25
2N	8500 10 L-G 5A 7.5 kV	506A004H26
2O	8500 15 L-G 5A 7.5 kV	506A004H27
2P	12470 5 L-L 5A 15 kV	506A004H17
2Q	12470 10 L-L 5A 15 kV	506A004H18
2R	12470 15 L-L 5A 15 kV	506A004H19
2S	13200 5 L-L 5A 15 kV	506A004H21
2T	13200 10 L-L 5A 15 kV	506A004H22
2U	13200 15 L-L 5A 15 kV	506A004H23
2V	13800 5 L-L 5A 15 kV	506A004H31
2W	13800 10 L-L 5A 15 kV	506A004H32
2X	13800 15 L-L 5A 15 kV	506A004H33
2Y	13.8 15.0 5 L-G 5A 15 kV	506A004H28
2Z	13.8 15.0 10 L-G 5A 15 kV	506A004H29
2AA	13.8 15.0 15 L-G 5A 15 kV	506A004H30

Voltage Transformers

Item	Description	Style Number
3	VT Drawer Parts ^①	1A30131G01
4A	Viy-60 2400-120V L-G	7525A55G01
4B	Viy-60 4200-120V L-G	7525A55G02
4C	Viy-60 4800-120V L-G	7525A55G03
4D	Viz-11 2400-120V L-G	7525A73G01
4E	Viz-11 4200-120V L-G	7525A73G02
4F	Viz-11 4800-120V L-G	7525A73G03
4G	Viz-11 7200-120V L-G	7525A71G05
4H	Viz-11 8400-120V L-G	7525A71G07
4I	Viz-11 12000-120V L-G	7525A71G08
4J	Viz-11 7200-120V L-G	7525A72G04
4K	Viz-11 13200-120V L-G	7525A71G09
4L	Viz-11 7620-120V L-G	7525A71G06
4M	Viz-11 14400-120V L-G	7525A71G10
4N	Viy-60 2400-120V L-L	7525A54G01
4O	Viy-60 4200-120V L-L	7525A54G02
4P	Viz-11 2400-120V L-L	7525A75G01
4Q	Viz-11 4200-120V L-L	7525A75G02
4R	Viz-11 4800-120V L-L	7525A75G03
4S	Viz-11 7200-120V L-L	7525A70G05
4T	Viz-11 8400-120V L-L	7525A70G07
4U	Viz-11 12000-120V L-L	7525A70G08
4V	Viz-11 14000-120V L-L	7525A70G10
5	Drawer Handle	8341A34H01
6	Roller	349A473H01
7	'C' Ring	70610A121G
	Fuse Drawer Parts ^①	1A30133G01

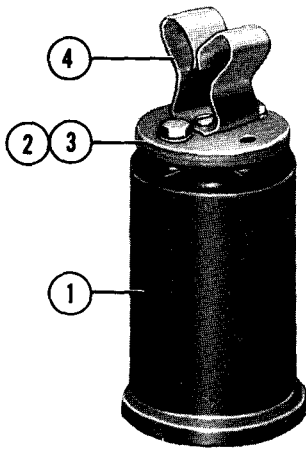
① Includes Drawer and all parts needed to mount Transformers and Fuses

Auxiliary Drawer/Compartment Components

Fuse Insulators - 6 inch	
Glass Polyester.....	686C615G01
Porcelain.....	8289A17H01
Fuse Clip.....	85D0146H01
Fuse Stab, Top Contact.....	8276A25H01
Fuse Stab, Bottom Contact.....	8276A27H01
CPT Stab, L.H.....	8276A94H01
CPT Stab, R.H.....	8276A94H02
VT Stab.....	8276A39H01
Secondary Contacts	
Female Contacts (All).....	6356C69G01
Male Contacts - VT.....	6438C71G09
Male Contacts - CPT.....	6438C71G08



VCP-W Cell Parts - Section II



Drawout Auxiliary Primary Stationary Components

Item	Description	Style Number
1A	Insulator, 6 inch Glass Polyester	686C615G01
1B	Insulator, 6 inch Porcelain	8289A17H01
2	Spacer	8080A24H01
3	Plate	8080A59H01
4	Finger Assy (Order 2 Per Assy)	3755A05H01

D.O. Drawer Shutter Assy

Shutter — CPT, VT	6511C11G02
Shutter — Fuse	6511C12G02
Shield — Fuse	8276A86G01
L.H. Cam Assy	6511C13G01
R.H. Cam Assy	6511C13G02

Fuses, Fuse Blocks & Terminal Blocks

Voltage Transformer Fuses

5 KV SWGR

2400V, 5KV, 2A	677C592G04
4200V, 5KV, 0.5A	677C452G01

15 KV SWGR

4200V, 15KV, 0.5A	677C452G01
7200V, 15KV, 0.5A	677C452G02
14400V, 5KV, 0.5A	677C452G03

Control Power Transformer Fuses

5KV SWGR

2.4KV	15A	678C240G01
2.4KV	25A	678C240G03
5KV	5A	677C453G01
5KV	10A	677C453G04
5KV	15A	678C240G04
5KV	25A	678C240G06

15KV SWGR

7.5KV	5A	677C453602
7.5KV	10A	6776453G05
15KV	5A	677C453G03
15KV	10A	677C453G06
15KV	25A	678C240G12

Secondary & Control Fuses ①

250V Ferrule Type

1 Amp	73482AJ00B	- Bussman Cat. NON1
3 Amp	73482AJ00D	- Bussman Cat. NON3
6 Amp	73482AJ00G	- Bussman Cat. NON6
10 Amp	73482AJ00H	- Bussman Cat. NON10
15 Amp	73482AJ00J	- Bussman Cat. NON15
20 Amp	73482AJ00K	- Bussman Cat. NON20
25 Amp	73482AJ00L	- Bussman Cat. NON25
30 Amp	73482AJ00M	- Bussman Cat. NON30
35 Amp	73482AJ00N	- Bussman Cat. NON35
40 Amp	73482AJ00P	- Bussman Cat. NON40
60 Amp	73482AJ00S	- Bussman Cat. NON60

Fuse Blocks

Pull Fuse Assy 30 Amp, 2 Pole	1A31000H01
Pull Fuse Assy 60 Amp, 2 Pole	1A31000H02
Fuse Block 30A, 2 Pole	784A547H02

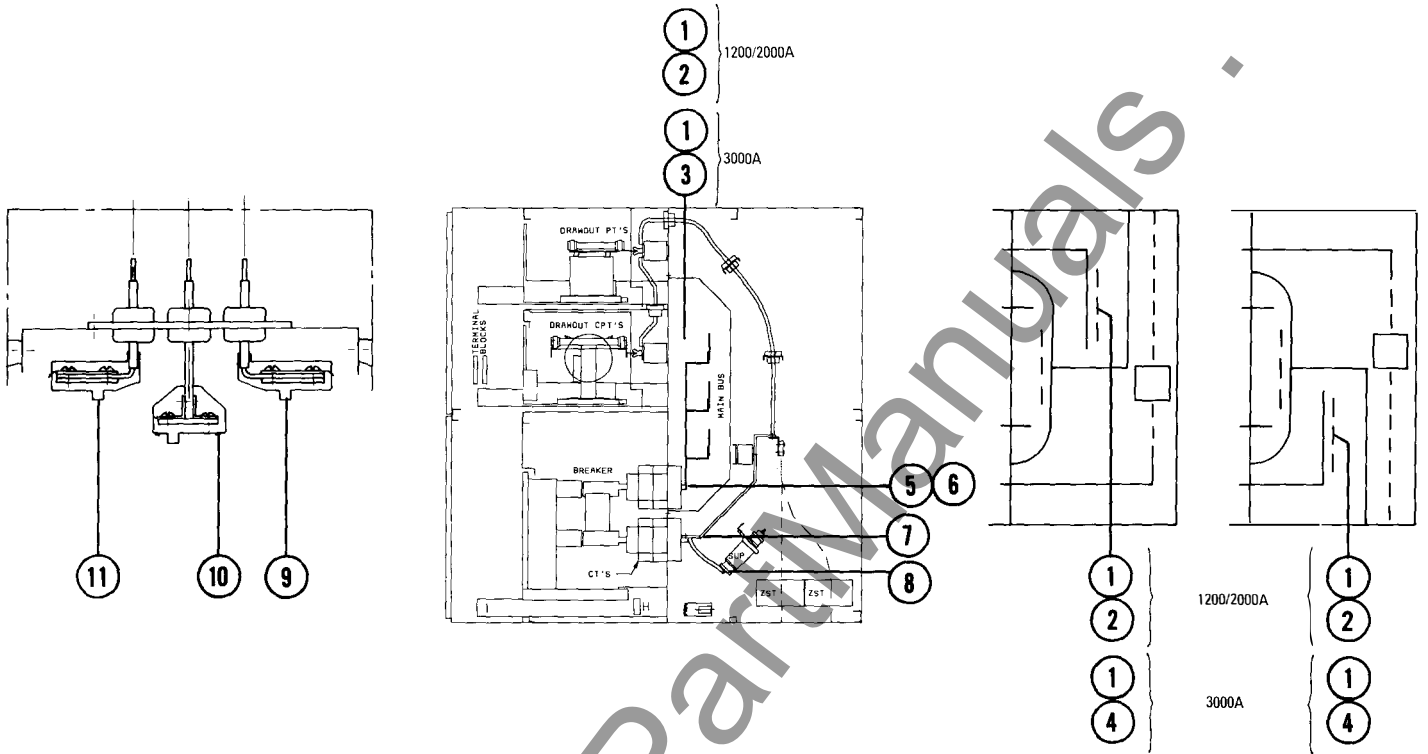
Terminal Blocks

6 Pt. Terminal Block with Hardware	8261A61H22
12 Pt. Terminal Block with Hardware	8261A61H24
6 Pt. Shorting Terminal Block with Hardware	8261A61H25
6 Pt. Terminal Block without Hardware	8261A61H31
12 Pt. Terminal Block without Hardware	8261A61H33
6 Pt. Terminal Block without Hardware	8261A61H34
Terminal Block Screw	8261A64H06

① The secondary fuses listed are standard for Switchgear Assemblies, and can be ordered through WESCO, indicating the Bussman Catalog number.



VCP-W Cell Parts - Section II



Bus

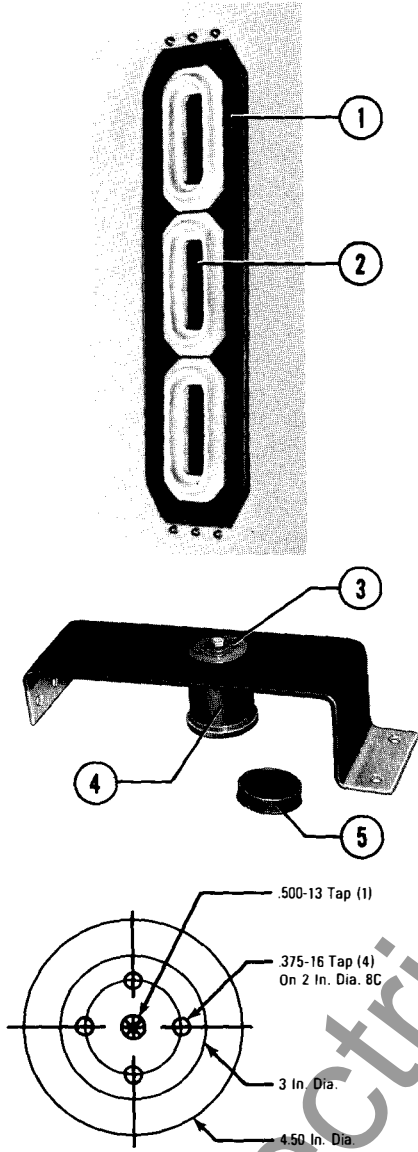
Main Bus with Holes & Fluidized Insulation					
Length	Thickness	Width	Material	Plating	Style Number
34"	.25"	6"	Copper	Tin	509B044H01
34"	.50"	6"	Copper	Tin	509B044H02
34"	.375"	6"	Copper	Tin	509B044H03
34"	.25"	6"	Copper	Silver	509B044H06
34"	.50"	6"	Copper	Silver	509B044H07
34"	.375"	6"	Copper	Silver	509B044H08
Bus Joint Splice Plates — Copper, Silverplated					
Without Inserts -					8080A40H01
With Inserts -					8080A47G01
With Inserts & Jumper Cable Term'l Mtg. -					8080A47G02
Bus Joint Spacer 1200/2000/3000A -					8080A38H01
Bus Joint Spacer 3000 A -					8080A39H01
Ground Bus					
.25 x 2 x 38.875"			Copper	None	8276A77H01
.5 x 3 x 38.875"			Copper	None	8276A77H02

Boots

Item	Description	Style Number
1	1200/2000/3000 A Main & Sec. Bus Joint Inner Boot	6445C46H01
2	1200/2000A Main & Sect Bus Joint Outer Boot	6445C47H01
3	3000 A Main Bus Joint Outer Boot	6445C47H01
4	3000A Sect. Bus Joint Outer Boot	6445C48H01
5A	1200A Stud Boot, Bus Side	6359C90H01
		6359C17H01
5B	2000A Stud Boot, Bus Side	6359C66H01
		6359C97H01
5C	3000A Stud Boot, Bus Side (Inner)	6359C99H01
6	3000A Stud Boot, Bus Side (Outer)	6359C98H01
7A	1200A Stud Boot, Line Side	6363C99H01
7B	2000A Stud Boot, Line Side	6363C98H01
7C	3000A Stud Boot, Line Side	6359C98H01
7D	1200A Stud Boot, Line Side (with Aux. Cable)	6531C80H01
		6531C81H01
7E	2000A Stud Boot, Line Side (with Aux. Cable)	6531C82H01
		6531C83H01
8	Lightning Arrester Boot	6511C71G01
9A	1200A Bus Run Boot L.H.	6438C26H01
9B	2000A Bus Run Boot L.H.	6438C33H01
10A	1200A Bus Run Boot Ctr.	6438C27H01
10B	2000A Bus Run Boot Ctr.	6438C34H01
11A	1200A Bus run Boot R.H.	6438C25H01
11B	2000A Bus run Boot R.H.	6438C32H01
12	Boot Hdw. Kit (Contains Nylon Bolts & Nuts for 25 Boots)	8257A74G01
13	Field Taping (Tape & Duxseal for 3 Joints)	3710A12G01



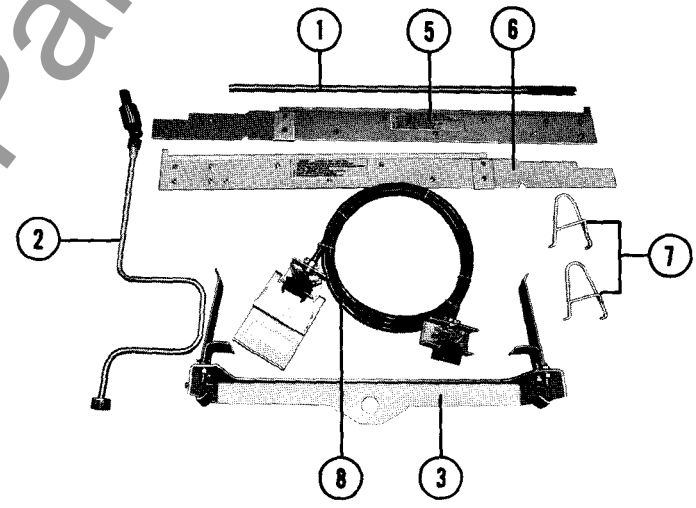
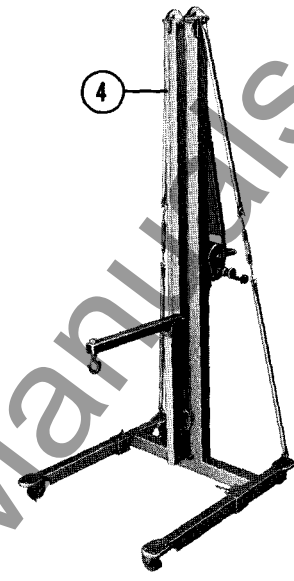
VCP-W Cell Parts - Section II



Drilling Pattern for Bus Support

Bus & Riser Supports

Item	Description	Style Number
1A	Main Bus Support, Glass Polyester, 5 & 15KV	6355C58H01
1B	Main Bus Support, Porcelain, 15KV	6355C77G01
2A	Snubber, 1200A (Not Shown)	6362C41H01
2B	Snubber, 2000A (Not Shown)	6359C19H01
2C	Snubber, 3000A (Not Shown)	6359C20H01
3	Insulator Spacer/Hardware Kit	8346A75G01
4A	3 1/2 Inch High Insulator, Porcelain	8289A17H03
4B	3 1/2 Inch High Insulator, Glass Polyester	8289A17H13
5	Insulated Hardware Cap	3837A13H01



VCP-W Accessories

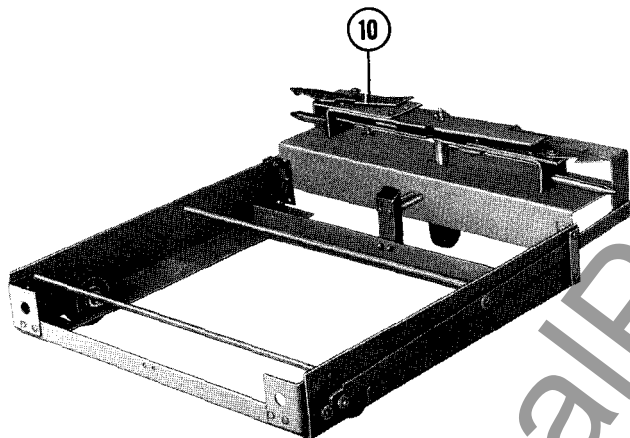
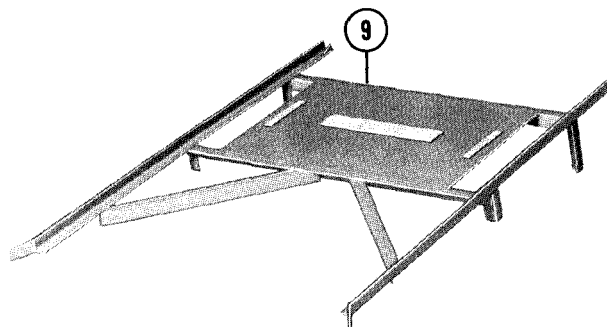
Item	Description	Style Number
1	Maintenance Tool	8064A02G01
2	Levering Crank with Clutch	701B601G01
3	Breaker Lifting Yoke	691C607G01
4	Portable Lifting Crane	6366C91H01
5	Rail Extension L.H.	6510C10G02
6	Rail Extension R.H.	6510C10G01
7	Rail Clamps	6511C83G01
8	Test Jumper	6526C23G01
9	Breaker Ramp Assembly	7811C71G01
10	Dockable Dolly, VCP-W	6510C71G01
11	Test Cabinets	
	Any DC Close & Trip Com. Std.	8346A28G01
	Any DC Close & Any DC Trip Sep. Std.	8346A28G02
	120, 240 VAC Close, Cap Trip	8346A28G03
	Any DC Close, Trip Com. Sep. Motor	8346A28G04

Ground and Test Device

	Manual 1200/200A w/Jumpers	3777A50G02
	Manual 3000A w/Jumpers	3777A50G03



VCP-W Cell Parts - Section II



Miscellaneous Parts

Description	Style Number
Paint	
ANSI61 Light Grey 9 oz. Spray Can	32220AI00K
ANSI64 Dark Grey Quart Can	32220BV00T
Space Heaters	
125 Volt 250 Watts	3614A50H01
250 Volt 250 Watts	3614A50H02
125 Volt 95 Watts	3614A50H04
250 Volt 100 Watts	3614A50H05
Jumper Cable, 5KV Unshielded 1/0	①8346A78H01
Grounding Cable, Uninsulated No. 6	①8346A79H01
Donut Insulator	128A022G03
Tinnerman Nut .25-20 (Box of 50)	8346A77G01

● Order Total Feet Req'd.



www.ElectricalPartManuals.com

Westinghouse Electric Corporation
Distribution and Control Business Unit
Commercial Operations Division
Pittsburgh, Pennsylvania, U.S.A. 15220